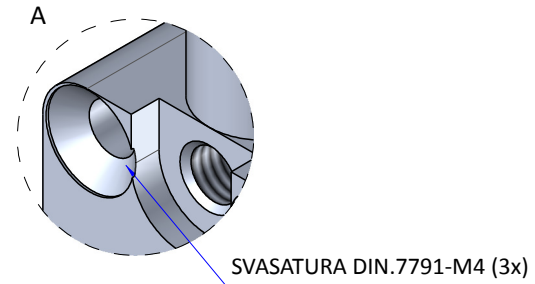
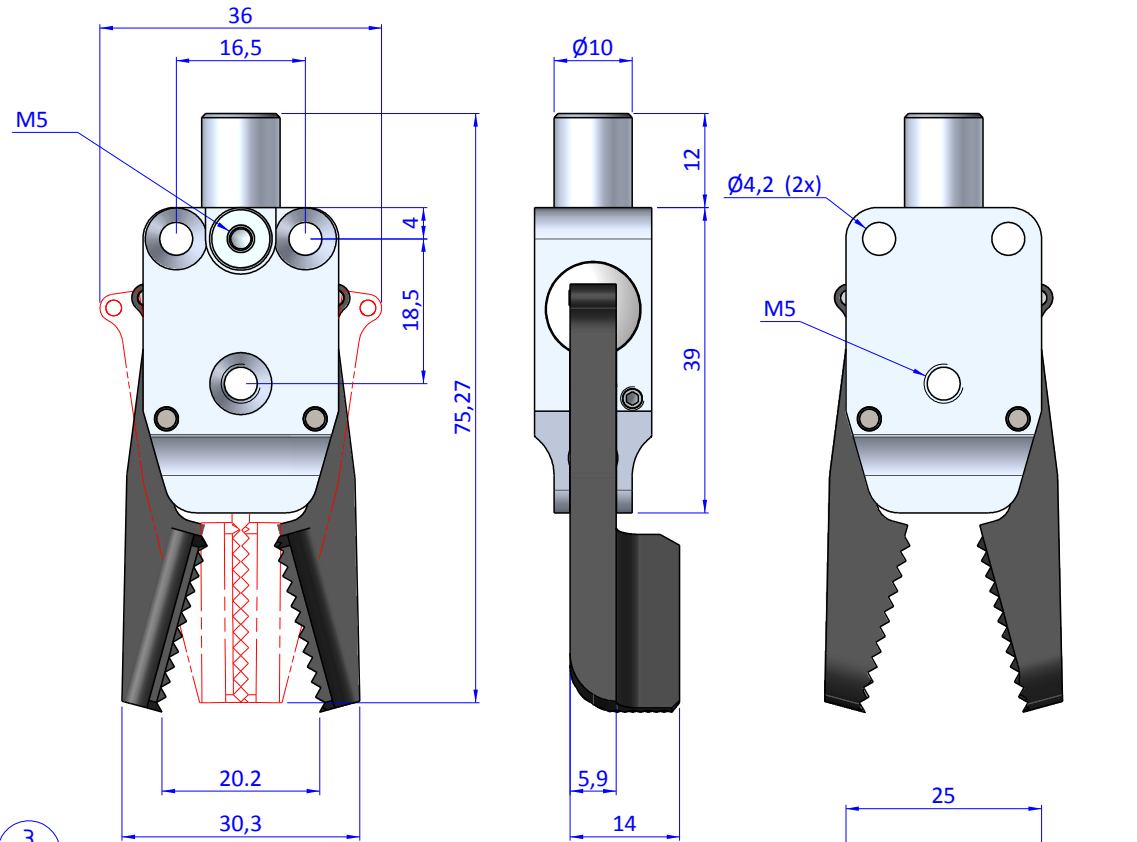
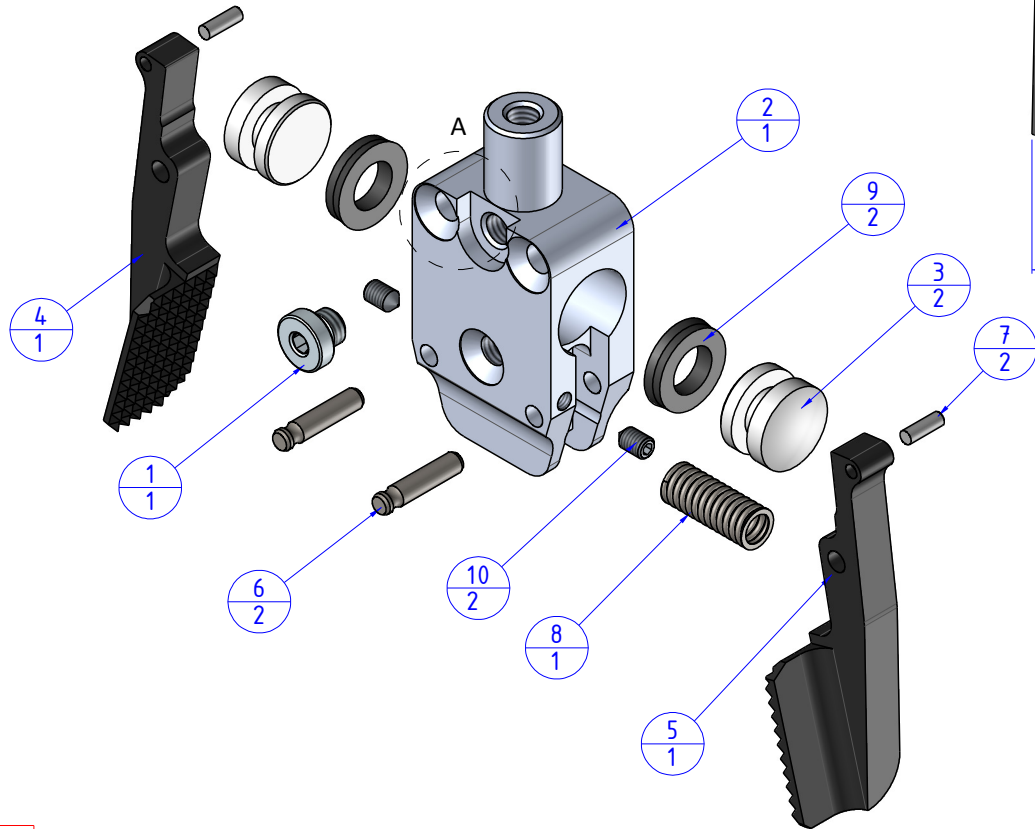



THE PROPERTY OF THE DRAWING IS ESTABLISHED BY LAW. IT IS FORBIDDEN TO PRODUCE OR SHOW IT TO THIRD PARTY, WITHOUT A WRITTEN AGREEMENT.

Item	Name	Q.ty
1	CA.08.14.013	1
2	GZA.10.12.1.L	1
3	GZA.10.12.2	2
4	GZA.10.12.3.AHD	1
5	GZA.10.12.3.AHS	1
6	GZA.10.12.5	2
7	GZA.10.12.9	2
8	M.6x25.SH	1
9	PSP.1269255	2
10	V.STM3X5	2



Format A3
UNI 936-76

 FPS FPSERVICES AUTOMATION		DESIGNED FROM	REVIEW
		FPS Automation	A
GENERAL TOLERANCE	DESCRIPTION	DATE	WEIGHT
UNI - ISO 2768		09/07/2019	0,039kg
CLASSE f	CA.GZA.10.12.AHV	CODE	CA.GZA.10.12.AHV